



**Agilent J1519BC**

**Universal CRT Monitor Rack  
Mount Kit**

**Installation Guide**





# Errata

## Agilent References in this manual

**NOTICE:** This document contains references to Agilent Technologies. Agilent's former Test and Measurement business has become Keysight Technologies. For more information, go to:

[www.keysight.com](http://www.keysight.com)

## About this manual

We've added this manual to the Keysight website in an effort to help you support your product. This manual provides the best information we could find. It may be incomplete or contain dated information.

## Support for your product

You can find information about technical and professional services, product support, and equipment repair and service on the web:

[www.keysight.com](http://www.keysight.com)

Select your country from the drop-down menu at the top. Under *Electronic Test and Measurement*, click on *Services*. The web page that appears next has contact information specific to your country.

For more detailed product information, go to: [www.keysight.com/find/](http://www.keysight.com/find/) *<product model>*  
i.e., for the M9514A, use: [www.keysight.com/find/M9514A](http://www.keysight.com/find/M9514A)

Hypertext links to documents on [agilent.com](http://agilent.com) are no longer active. Use this substitution to access PDF files:

Broken links have the form: <http://cp.literature.agilent.com/litweb/pdf/> *< literature\_part\_number >*

Substitute links with this form: <http://literature.cdn.keysight.com/litweb/pdf/> *< literature\_part\_number >*

Where *< literature\_part\_number >* has the form: M9300-90001.pdf

For service notes, use: [www.keysight.com/find/servicenotes](http://www.keysight.com/find/servicenotes)



# Notice

The information contained in this document is subject to change without notice.

**AGILENT TECHNOLOGIES MAKES NO WARRANTY OF ANY KIND WITH REGARD TO THIS MATERIAL, INCLUDING, BUT NOT LIMITED TO, THE IMPLIED WARRANTIES OF MERCHANTABILITY AND FITNESS FOR A PARTICULAR PURPOSE.**

Agilent Technologies shall not be liable for errors contained herein or for incidental or consequential damages in connection with the furnishing, performance, or use of this material. This document contains proprietary information, which is protected by copyright. All rights are reserved. No part of this document may be photocopied, reproduced, or translated into another language without the prior written consent of Agilent Technologies.

**Copyright © 1998, 2001, 2009 Agilent Technologies, Inc.**

# Contents

- 2 Rear Brackets (5064-6119)
- 6 Sheet Metal Nuts (0590-2318)
- 1 Monitor Base (J1519-60001)
- 6 Decorative Gray Screws (0515-4240)
- 2 Torx 25 Screws with Lock Washers (0515-2990)
- 4 Clamp Assemblies, *already installed on the monitor base* (E7709-60003)
- 2 Decorative side panels (J1519-00007)

**Tools Needed:** Torx 25 Driver

## General Information

This Monitor Rack Mount Kit accommodates many typical 14 to 17-inch CRT monitors. This kit normally is installed last in a rack configuration. For convenience and safety install other components and keyboard kit before installing this Monitor Rack Mount Kit. **This kit requires 11 EIA units in your Agilent rack.**

**NOTE:** Extend the rack's four stabilizer feet before installing components in the rack.

### STEP 1

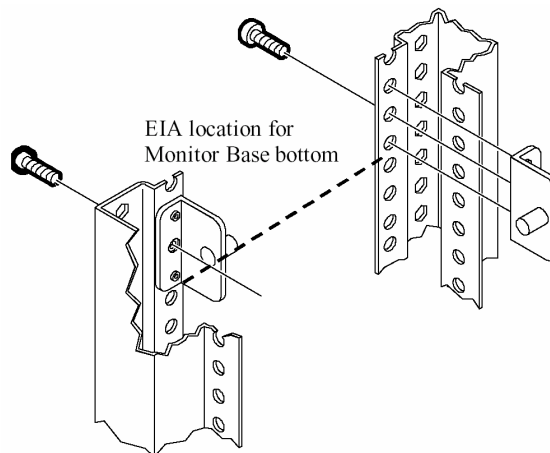
#### Choose EIA location for the Monitor Base.

Determine where you want the bottom of the Monitor Base. To place the monitor at the top of a 1.96m E-Series rack, use EIA **30**. To place the monitor at the top of a 1.6m E-Series rack, use EIA **22**.

### STEP 2

#### Position and attach Rear Brackets.

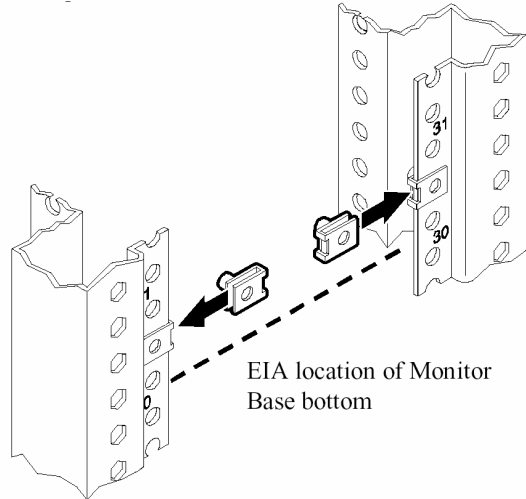
Position the bottom of the Rear Brackets on the rear columns at the desired EIA location. Install with two non-decorative Torx 25 bolts.



### STEP 3

#### Install Sheet Metal Nuts in front columns.

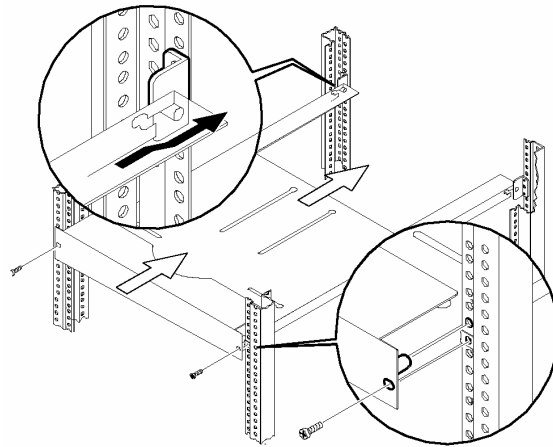
In the middle hole of the EIA unit located in Step 1, place sheet metal nuts on the front columns as shown. The location is an example.



### STEP 4

#### Install the Monitor Base.

Standing in front of the rack and holding the front of the Monitor Base, move it to the rear. The pins pointing in on the Rear Brackets fit into the channels cut into the back of the Monitor Base. Align the front of the Monitor Base at the EIA location.



### STEP 5

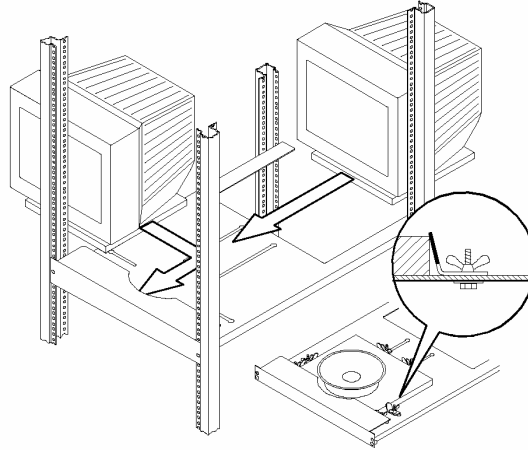
#### Install Decorative Gray Screws in front column.

Align the tray as shown. Install decorative screws in front into Clip Nuts installed in Step 3.

## STEP 6

### Install Monitor.

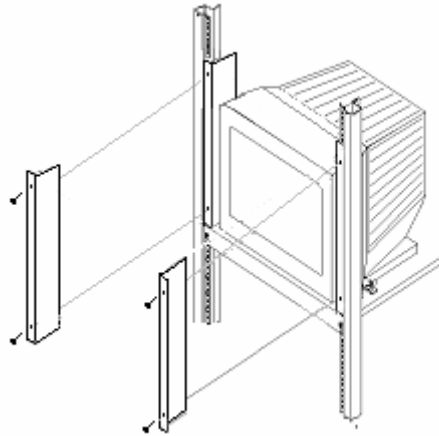
Install the monitor from the side or rear of the rack. Position Clamp Assemblies to secure monitor, and tighten.



## STEP 7

### Install Decorative Panels.

- a. Install 4 sheet metal nuts in the front columns as required to mount the decorative panels.
- b. Install the decorative panels using 4 (2 per panel) decorative screws, as shown:



- c. Connect monitor cabling. Reinstall the side panels if applicable.

This completes the Installation.